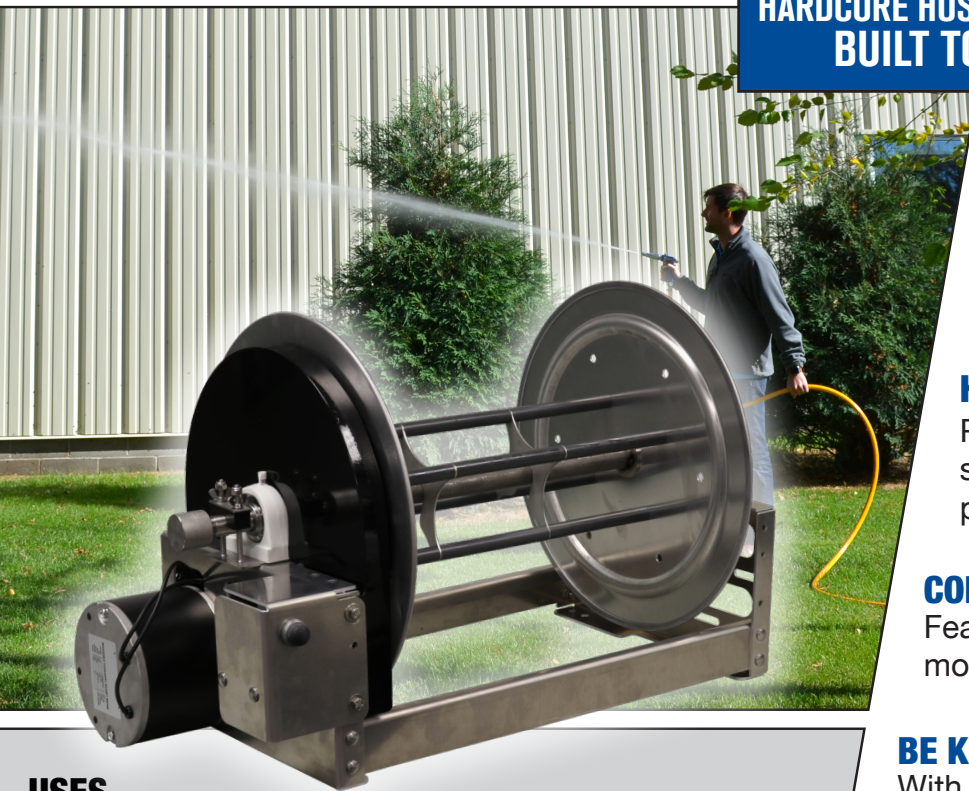


# HARDCORE ALUMINUM ELECTRIC HOSE REELS

**HARDCORE HOSE REELS FOR ALL HARDCORE APPLICATIONS!  
BUILT TO GET YOU REELING IN NO TIME.**



## IMPROVED HEAVY-DUTY DESIGN

High-quality aluminum construction with a stainless-steel core that provides long-lasting strength and durability for even the toughest applications.

## HIGH-QUALITY SWIVELS

Pick and choose your high-quality super swivel, depending on your low- or high-pressure application.

## COMPACT DESIGN FOR ANY RIG

Featuring a small foot print that has a universal mounting pattern for quick installs or uninstalls.

## BE KIND AND REWIND

With a push of a button, effortlessly rewind hose with the electric driven chain and sprocket system.

## USES

These aluminum hose reels are ideal for pest control, lawn care, pressure washing, softwash, agriculture, municipal water, fire protection, carpet cleaning, industrial and much more.

## AVAILABLE ALUMINUM ELECTRIC HOSE REELS

Part #	Size	Swivel Style	Swivel	PSI	Outlet
HR-12AF-E-SW	12"	Soft Wash	Stainless Steel	725	1/2" FNPT
HR-18AF-E-SW	18"	Soft Wash	Stainless Steel	725	1/2" FNPT
HR-12AF-E-HP	12"	High Pressure	Nickel Plated	5000	1/2" FNPT
HR-18AF-E-HP	18"	High Pressure	Nickel Plated	5000	1/2" FNPT

### Hose Capacity

OD	Hose Capacity			Pallet Qty
	3/4"	7/8"	1"	
ID	3/8"	1/2"	5/8"	
12"	300'	200'	150'	12"
18"	450'	325'	225'	18"
				15
				10

SIMPLE, BOLT-ON **STACKING KIT** OPTION ALLOWS FOR MULTIPLE HOSE REEL APPLICATIONS ON PROFESSIONAL UNITS.

Part#	Description
HR-AFEST-KIT	Stacking Kit for 12" & 18" Reels

OPTIONAL STAINLESS STEEL & ALUMINUM **HOSE GUIDES** MOUNT EASILY TO AVOID PINCHING & KINKING

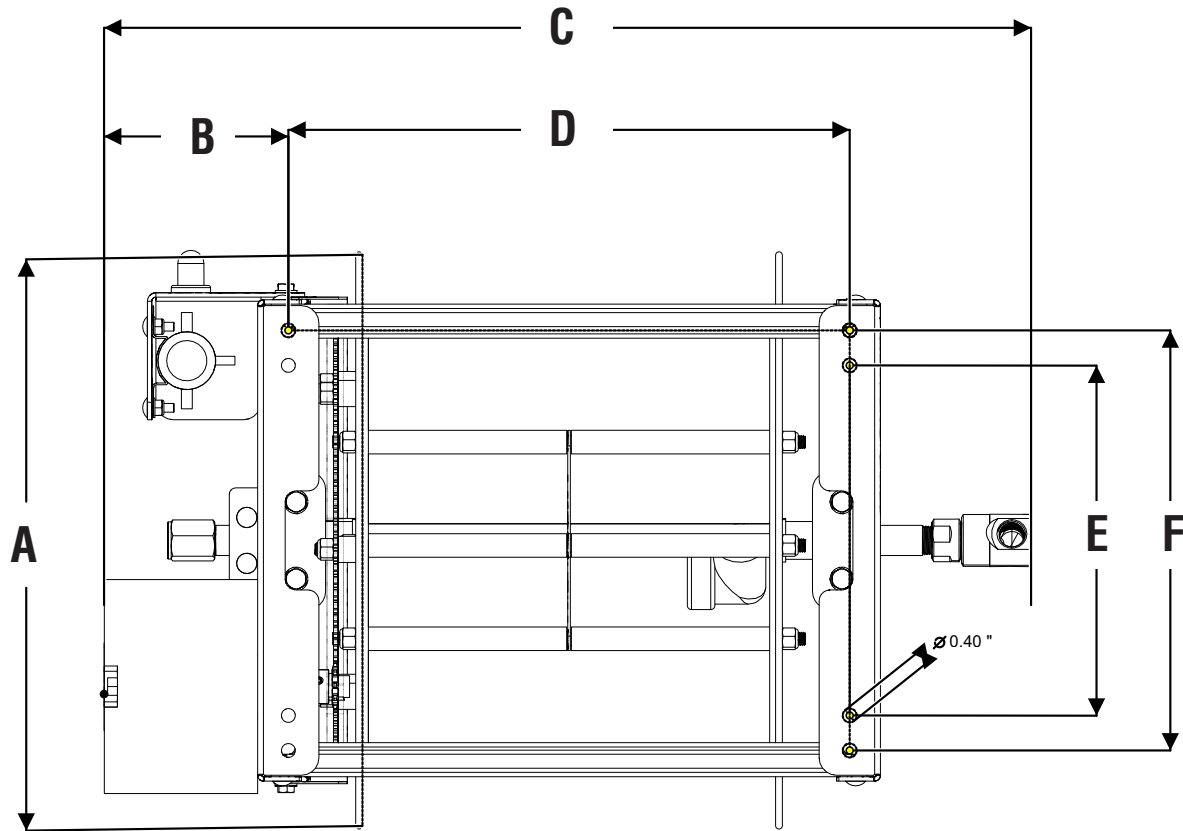
Part#	Description
HG-12-AL	Hose Guides for 12" Hose Reels
HG-18-AL	Hose Guides for 18" Hose Reels

FOR MORE INFORMATION, OR TO ORDER, CONTACT US TODAY!

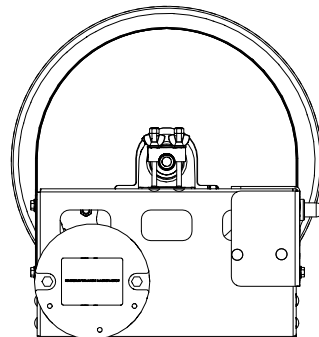
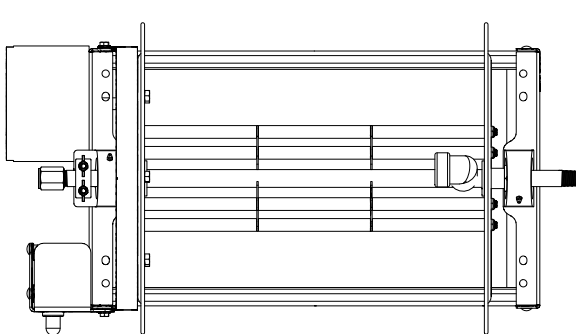
TOLL FREE: 800-8684-1649 ONLINE: WWW.VALLEYIND.COM EMAIL: SALES@VALLEYIND.COM

# HARDCORE ALUMINUM ELECTRIC HOSE REELS

## HOSE REEL SPECIFICATIONS



		Mounting Pattern Dimensions					
Spool	Type	A	B	C	D	E	F
12"	HP	16.29	5.27	26.48	16.03	10.00	12.00
12"	SW	16.29	5.27	25.62	16.03	10.00	12.00
18"	HP	16.29	5.27	32.52	22.12	10.00	12.00
18"	SW	16.29	5.27	31.66	22.12	10.00	12.00



Overall Dimensions			
Spool	L x W x H (inches)		
12"	26.48"	16.32"	17.75"
18"	31.66"	16.29"	17.75"