



HARDCORE ALUMINUM U-CHANNEL HOSE REELS

**HARDCORE HOSE REELS FOR ALL HARDCORE APPLICATIONS!
BUILT TO GET YOU REELING IN NO TIME.**



IMPROVED U-CHANNEL DESIGN

High-quality aluminum construction with a stainless-steel core that provides long-lasting strength and durability for even the toughest applications.

HIGH-QUALITY SWIVELS

Pick and choose your high-quality swivel, depending on your low or high-pressure application.

COMPACT DESIGN FOR ANY RIG

Featuring a small foot print that has a universal mounting pattern for quick installs or uninstalls.

USES

These aluminum hose reels are ideal for pest control, lawn care, pressure washing, softwash, agriculture, municipal water, fire protection, carpet cleaning, industrial and much more.

BETTER TO BE SAFE THAN SORRY

Featuring a spring-loaded locking pin that prevents unspooling at the wrong time.

OD	Hose Capacity			Pallet Qty
	3/4"	7/8"	1"	
ID	300'	200'	150'	
	3/8"	1/2"	5/8"	
12"	450'	325'	225'	12"
18"				15
				18"
				15

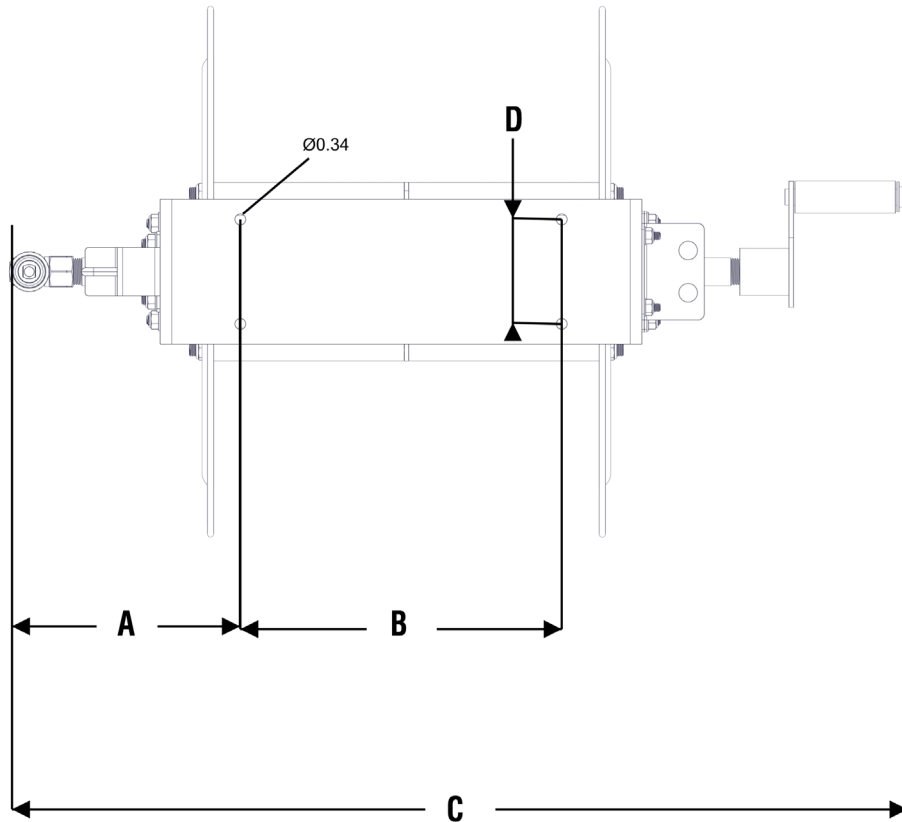
AVAILABLE ALUMINUM U-CHANNEL HOSE REELS

Part #	Size	Swivel Style	Swivel Material	PSI	Outlet
HR-12AU-SW	12"	Soft Wash	Stainless Steel	725	1/2"FNPT
HR-18AU-SW	18"	Soft Wash	Stainless Steel	725	1/2"FNPT
HR-12AU-HP	12"	High Pressure	Nickel Plated	5000	1/2"FNPT
HR-18AU-HP	18"	High Pressure	Nickel Plated	5000	1/2"FNPT

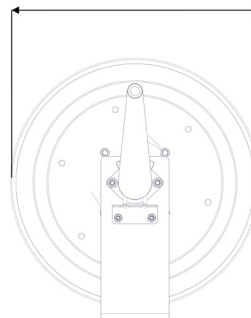
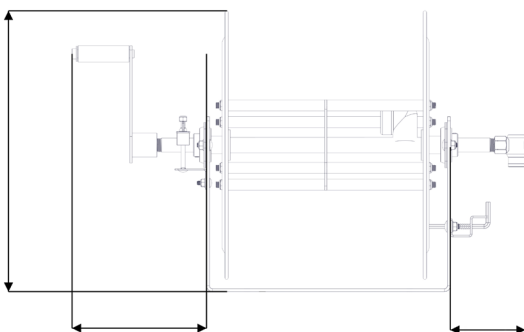
FOR MORE INFORMATION, OR TO ORDER, CONTACT US TODAY!
TOLL FREE: 800-8684-1649 ONLINE: WWW.VALLEYIND.COM EMAIL: SALES@VALLEYIND.COM

HARDCORE ALUMINUM MANUAL HOSE REELS

HOSE REEL SPECIFICATIONS



Mounting Pattern Dimensions				
Spool	A	B	C	D
12"	7.09"	10.0"	27.87"	3.25"
18"	10.09"	10.0"	33.67"	3.25"



Overall Dimensions			
Spool	L x W x H (inches)		
12"	27.87"	16.35"	17.24"
18"	33.67"	16.35"	17.24"