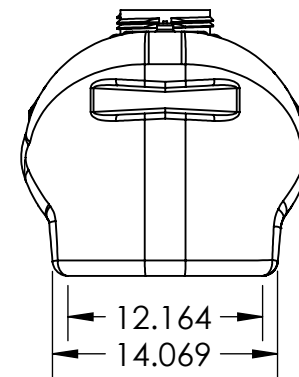
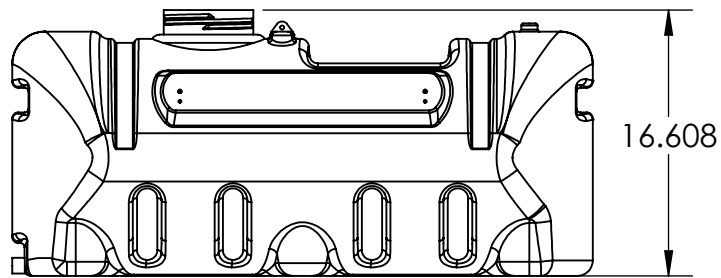
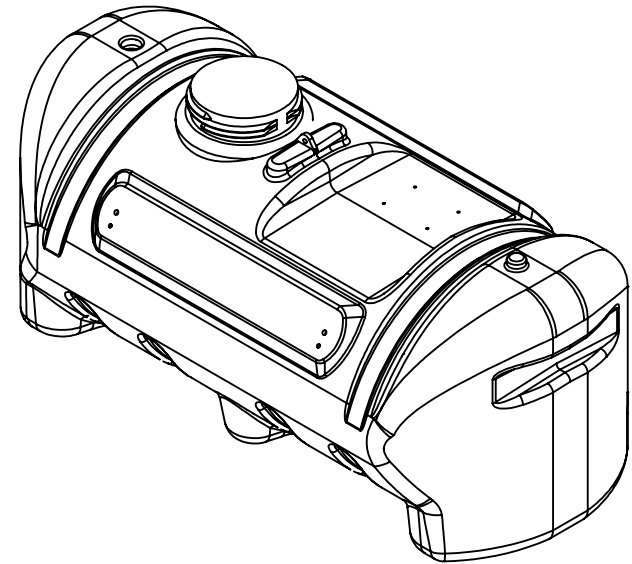
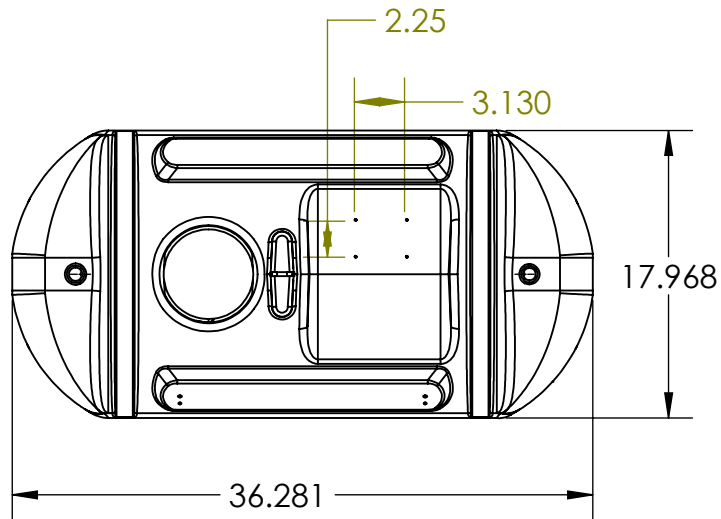


**Nominal Wall Thickness = 0.125"**



**PROPRIETARY AND CONFIDENTIAL**

THE INFORMATION CONTAINED IN THIS DRAWING IS THE SOLE PROPERTY OF VALLEY INDUSTRIES. ANY REPRODUCTION IN PART OR AS A WHOLE WITHOUT THE WRITTEN PERMISSION OF VALLEY INDUSTRIES IS PROHIBITED.

COMMENTS:

UNLESS OTHERWISE SPECIFIED:

DIMENSIONS ARE IN INCHES  
TOLERANCES:  
ANGLES ± 1degree  
ONE PLACE DECIMAL ± .1  
TWO PLACE DECIMAL ± .02  
THREE PLACE DECIMAL ± .005

MATERIAL

FINISH

DO NOT SCALE DRAWING



180 N LAKE AVENUE  
PAYNESVILLE, MN 56362

DRAWN

CHECKED

NAME

DATE

TITLE:

SIZE

**A**

DWG. NO.

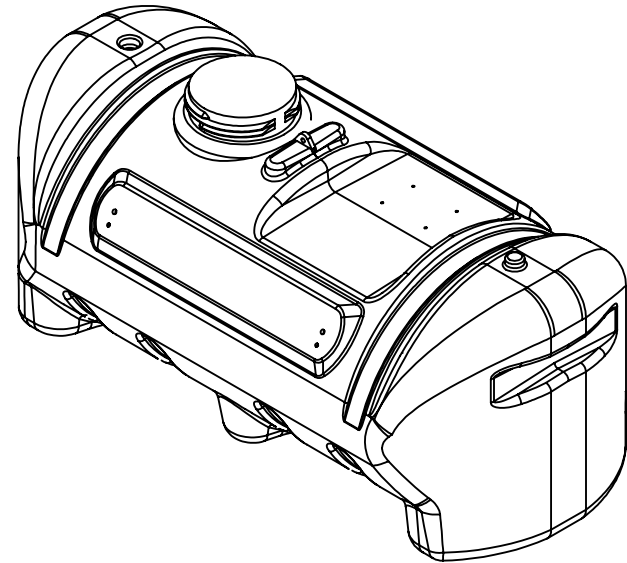
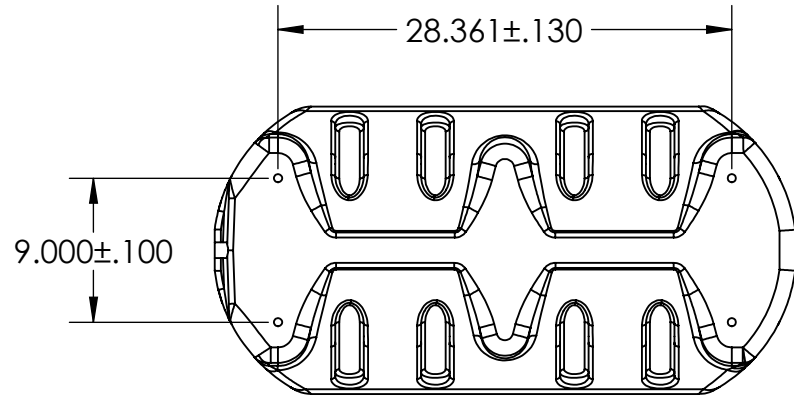
**25 Gallon**


REV B

WEIGHT: lbs

SHEET 1 OF 2

**Nominal Wall Thickness = 0.125"**



<p><b>PROPRIETARY AND CONFIDENTIAL</b> THE INFORMATION CONTAINED IN THIS DRAWING IS THE SOLE PROPERTY OF VALLEY INDUSTRIES. ANY REPRODUCTION IN PART OR AS A WHOLE WITHOUT THE WRITTEN PERMISSION OF VALLEY INDUSTRIES IS PROHIBITED.</p>	<p>UNLESS OTHERWISE SPECIFIED: DIMENSIONS ARE IN INCHES TOLERANCES: ANGLES ± 1degree ONE PLACE DECIMAL ± .1 TWO PLACE DECIMAL ± .02 THREE PLACE DECIMAL ± .005</p>		 180 N LAKE AVENUE PAYNESVILLE, MN 56362		TITLE:		
	<p>COMMENTS:</p>	<p>MATERIAL</p>			<p>NAME</p>	<p>DATE</p>	<p>SIZE <b>A</b></p>
	<p>FINISH</p>	<p>DRAWN</p>			<p>REV B</p>	<p>WEIGHT: lbs</p>	<p>SHEET 2 OF 2</p>
	<p>DO NOT SCALE DRAWING</p>	<p>CHECKED</p>					