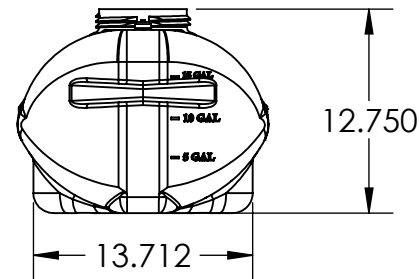
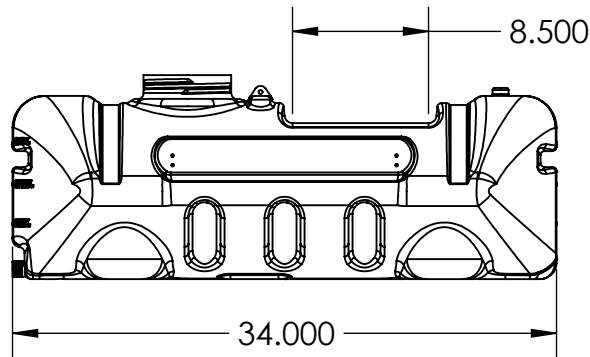
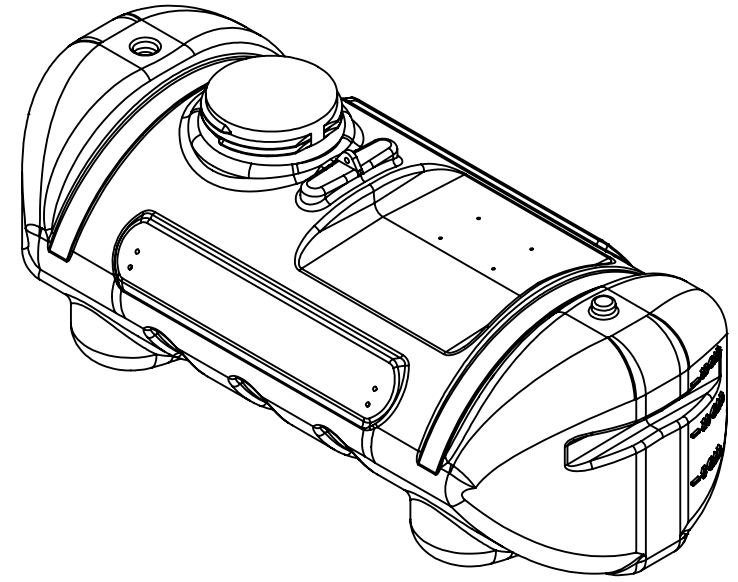
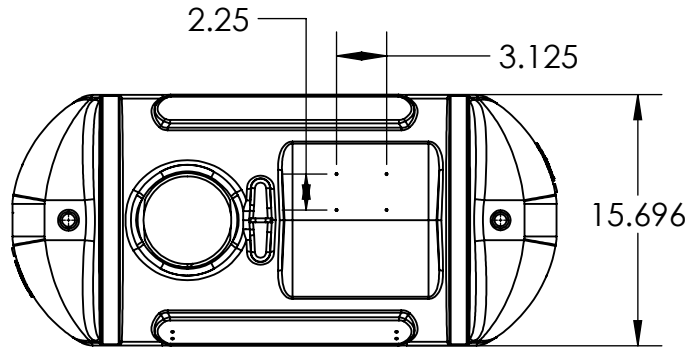


Nominal Wall Thickness = 0.125"



PROPRIETARY AND CONFIDENTIAL

THE INFORMATION CONTAINED IN THIS DRAWING IS THE SOLE PROPERTY OF VALLEY INDUSTRIES. ANY REPRODUCTION IN PART OR AS A WHOLE WITHOUT THE WRITTEN PERMISSION OF VALLEY INDUSTRIES IS PROHIBITED.

COMMENTS:

UNLESS OTHERWISE SPECIFIED:

DIMENSIONS ARE IN INCHES
TOLERANCES:
ANGLES ± 1degree
ONE PLACE DECIMAL ± .1
TWO PLACE DECIMAL ± .02
THREE PLACE DECIMAL ± .005

MATERIAL

FINISH

DO NOT SCALE DRAWING



180 N LAKE AVENUE
PAYNESVILLE, MN 56362

	NAME	DATE
DRAWN	TWH	
CHECKED	TWH	

TITLE:

15 Gallon Tank

SIZE

A

DWG. NO.

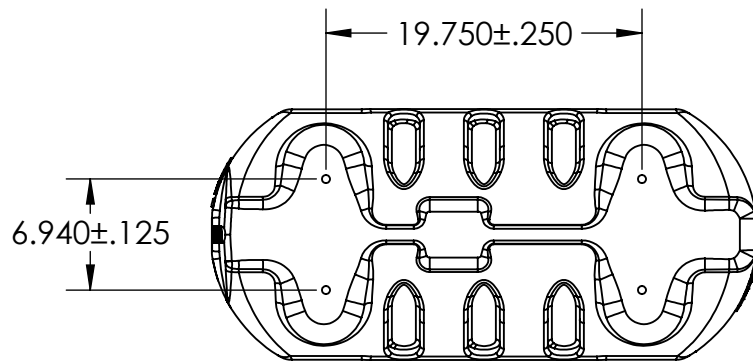
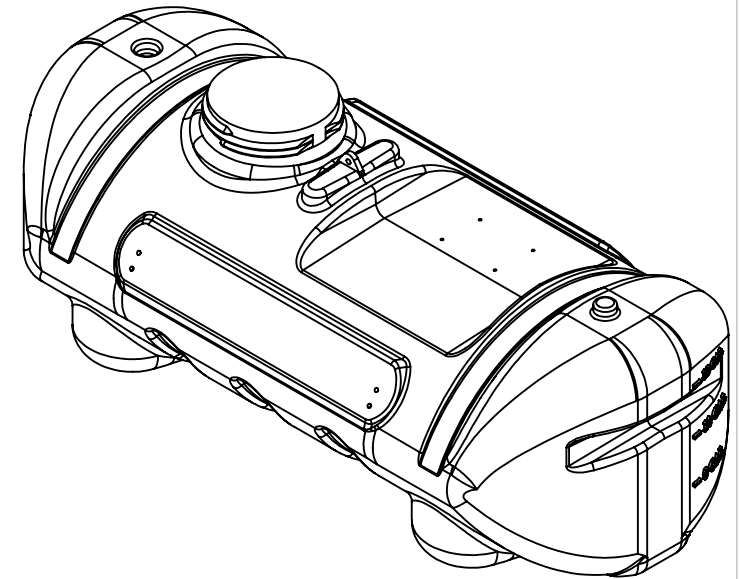
15 Gallon

REV A

WEIGHT: lbs

SHEET 1 OF 2

Nominal Wall Thickness = 0.125"



PROPRIETARY AND CONFIDENTIAL

THE INFORMATION CONTAINED IN THIS DRAWING IS THE SOLE PROPERTY OF VALLEY INDUSTRIES. ANY REPRODUCTION IN PART OR AS A WHOLE WITHOUT THE WRITTEN PERMISSION OF VALLEY INDUSTRIES IS PROHIBITED.

COMMENTS:

Min. Wall Thickness = 0.095"

UNLESS OTHERWISE SPECIFIED:

DIMENSIONS ARE IN INCHES
 TOLERANCES:
 ANGLES ± 1degree
 ONE PLACE DECIMAL ± .1
 TWO PLACE DECIMAL ± .02
 THREE PLACE DECIMAL ± .005

MATERIAL
 Petrothene LT570401

FINISH

DO NOT SCALE DRAWING



180 N LAKE AVENUE
 PAYNESVILLE, MN 56362

	NAME	DATE
DRAWN	TWH	
CHECKED	TWH	

TITLE:

15 Gallon Tank

SIZE

A

DWG. NO.

15 Gallon

REV A

WEIGHT: lbs

SHEET 2 OF 2