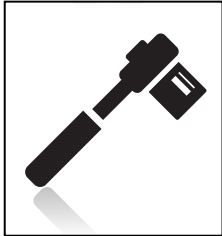
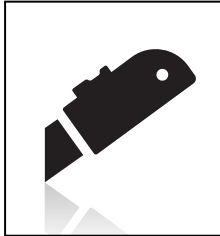


**INCLUDED COMPONENTS**

**TOOLS REQUIRED**



1/2" SOCKET WRENCH



KNIFE

**NOTE:**  
IF YOU PURCHASED A COMPLETED BROADCAST SPRAYER, FOLLOW THE SPOT SPRAYER MANUAL AND MOUNT KIT ASSEMBLY INSTRUCTIONS BEFORE YOU COMPLETE BOOM ASSEMBLY STEPS.



7' Boom Assembly (1)  
34-140052-P



Boom Upright Bracket (2)  
31-100160



Deflector Nozzle (2)  
DF3.0



1" Bolts (6)  
33-100116



Flange Nuts (8)  
33-100113



Ball Check Strainer (2)  
NS-50BC



Deflector Nozzle Cap (2)  
G-8253051



Gasket (2)  
G-G00002020

**SPRAYING SIMPLE**

**FREE**

MOBILE SPRAY ASSISTANT



INTEGRATE YOUR SPRAY EQUIPMENT AND ACREAGE. CALCULATE YOUR NEEDED LIQUID AND APPLICATION SPEED.

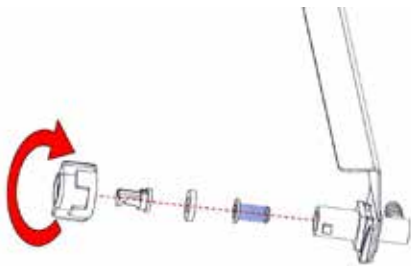
**1.**

**PARTS**



**TOOLS**

None



Installs Nozzles, Strainers & Caps



For each Nozzle Body, insert a Strainer, Gasket and Deflector Fan Nozzle as shown here.

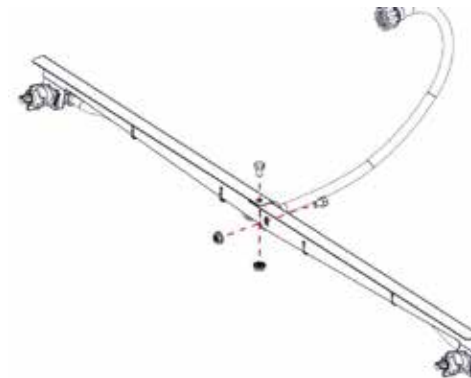
Push Nozzle Cap onto the Nozzle Body and twist to secure it. Repeat for remaining Nozzle.

**2.**

**PARTS**



**TOOLS**



NOTE: 3/4" Bolts will be pre-installed onto Boom Assembly.

Connects Boom Arms



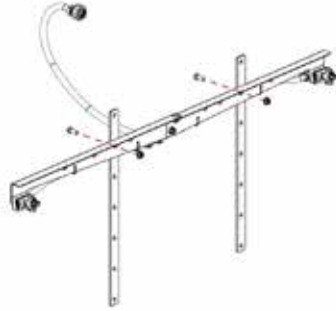
Extend the Boom Arms and align the end holes as shown.

Insert the 3/4" Bolts through the holes and secure with Flange Nuts. Tighten with Socket Wrench.

**3. PARTS**



**TOOLS**

**NOTE:** Boom Upright Brackets may not be needed. Consult Mount Kit Assembly instructions.

Attaches Boom Uprights to Boom Assembly



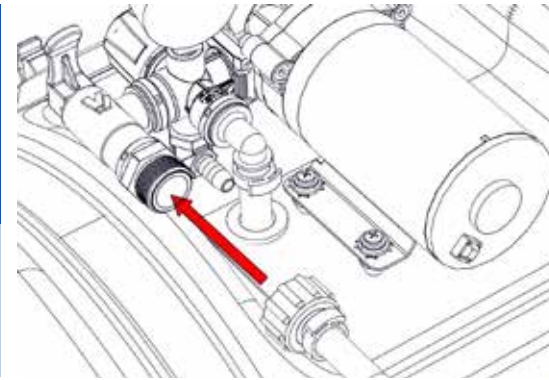
Secure Boom Assembly to Boom Upright Brackets with 1" Bolts and Flange Nuts. Tighten with Socket Wrench.

Use remaining 1" Bolts and Flange Nuts to install Boom Assembly with Boom Upright Brackets to Mount Kit.

**4. PARTS**

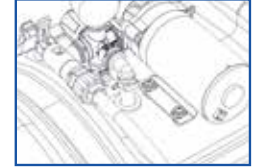


**TOOLS**

**NOTE:** Use a Knife to cut zip tie from Boom Assembly to free the Boom Hose.

Connects Boom Assembly to Shut-Off Valve



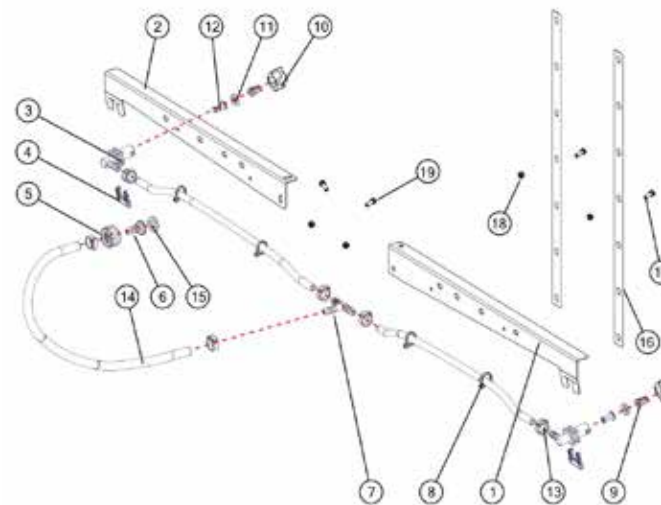
Locate Boom Hose and make sure there is a Washer in the end of Boom Cap.

Thread the Boom Hose to the Shut-Off Valve.

**T. SSBK-240 BOOM TROUBLESHOOTING**

PROBLEM	CAUSE	SOLUTION
Boom Doesn't Spray	Bad Electrical Connection	Check Battery Connections
	Boom Shut-Off Valve	Flip On Shut-Off Valve
Irregular Spray Pattern	Clogged Strainer	Unclog Strainer
	Pinched Or Clogged Hose	Unpinch or Unclog Hose
	Clogged Nozzles	Unclog Nozzles
	Damaged Spray Nozzles	Replace Nozzles
	No Nozzles In Boom	Install Nozzles Into Boom
	Incorrect Nozzle Size	Replace with Correct Nozzles
	Nozzle Facing Wrong Direction	Adjust Nozzle To Correct Designation
Boom Leaks	Loose Fasteners	Tighten Fasteners
	Loose Connection To Shut-Off Valve	Tighten Boom To Shut-Off Valve
	Damaged Boom Hose	Replace Hose or Boom Kit
Nozzles Drip After Use	No Ball Check Strainers	Install Ball Check Strainers

**B. SSBK-240 BOOM BREAKDOWN**



ID	Part Number	Description	Qty
1	31-100353	Left Boom Arm	1
2	31-100354	Right Boom Arm	1
3	31-400008	L Nozzle Body - 3/8" HB	2
4	31-400010	Boom Nozzle Clips	2
5	3B34	Swivel Nut - 3/4" FGHT	1
6	3C38	Flat Seat Hose Barb - 3/8"	1
7	3T38	Tee - 3/8" Hose Barb	1
8	CTB8-40	Black Nylon Cable Tie	4
9	DF3.0	Gray Deflector Nozzle	2
10	G-8253051	Deflector Nozzle Body Caps	2
11	G-G00002020	Gasket	2
12	NS-50BC	Nozzle Strainer - 50 Mesh	2
13	SHC-F	Snapper Hose Clamp - 3/8"	6
14	33-103153	Rubber Hose - 3/8"	1
15	W406V	Washer - 1" OD x 3/4" ID	1
16	31-100160	Boom Upright Brackets	2
17	33-100116	Bolts - 1"	6
18	33-100113	Flange Nuts	8
19	33-200120	Bolts - 3/4"	2